

KLIPPON K31 M20ACSS EX

Weidmüller Interface GmbH & Co. KG

Klingenbergstraße 16

D-32758 Detmold

Germany

Fon: +49 5231 14-0

Fax: +49 5231 14-292083

www.weidmueller.com



The Klippon® brand has long stood for competence and quality in housings, particularly when customer solutions for standard industrial applications and applications in explosive risk zones are concerned.

Weidmüller meets these requirements with its range of steel sheet enclosures in the new Klippon® TB series, available in Multi-Hinge (MH) and Quarter-Lock (QL) versions, the Klippon® STB series and the aluminium enclosures of the Klippon® K series.

The portfolio is rounded off with the polyester enclosures of the Klippon® POK series and the polycarbonate enclosures.

Irrespective of which application users are planning, Weidmüller offers numerous precisely fitting housing solutions and individual services: turnkey enclosures with customer-specific configurations such as terminal rails, drilled holes, cable glands, cutouts, special coatings and much more besides.

General ordering data

| | |
|-------------------|---|
| Type | KLIPPON K31 M20ACSS EX |
| Order No. | 8000004215 |
| Version | Terminal Box, ATEX II 2GD T85°C Ex e II T6, KLIPPON K31 EX, KL SET 21A4 S, Drill holes side A: 4 x M20x1.5, Drill holes side B: 4 x M20x1.5 |
| GTIN (EAN) | 4032248986538 |
| Qty. | 1 pc(s). |
| Reference product | 9526890000 |

KLIPPON K31 M20ACSS EX

Weidmüller Interface GmbH & Co. KG
 Klingenbergstraße 16
 D-32758 Detmold
 Germany
 Fon: +49 5231 14-0
 Fax: +49 5231 14-292083
 www.weidmueller.com

Technical data**Dimensions and weights**

| | |
|------------|-------|
| Net weight | 765 g |
|------------|-------|

Environmental Product Compliance

| | |
|------------|----------------|
| REACH SVHC | Lead 7439-92-1 |
|------------|----------------|

Certificate numbers enclosure

| | | | |
|--|----------------------|---|--------------------|
| Certificate no. assembled enclosure (ATEX) | IBExU12ATEX1145 X | Certificate no. assembled enclosure (IECEX) | IECEX IBE 13.0002X |
| Certificate no., assembled enclosure (EAC) | RU C-DE.ГБ08.B.01328 | | |

Housing

| | | | |
|--------------------|------------------|--------------------|-------------|
| Drill holes side A | 4 x M20x1.5 | Drill holes side B | 4 x M20x1.5 |
| Material | Aluminium AlSi12 | | |

Classifications

| | | | |
|------------|-------------|------------|-------------|
| ETIM 5.0 | EC000058 | ETIM 6.0 | EC002503 |
| eClass 6.2 | 27-14-91-07 | eClass 7.1 | 27-14-91-07 |
| eClass 8.1 | 27-14-91-07 | eClass 9.0 | 27-14-44-30 |
| eClass 9.1 | 27-18-05-90 | | |

Product information

| | |
|--------------------------------|--|
| Descriptive text ordering data | All enclosures are equipped with an external earth stud connection. *DU = feed-through terminals, PE = PE terminals |
|--------------------------------|--|

Approvals

Approvals

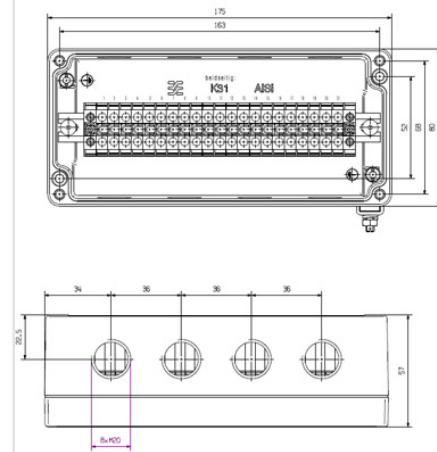
**Downloads**

| | |
|--------------------|-------------------------------------|
| Brochure/Catalogue | CAT 5 ENCL 17/18 EN |
| PDF (3D) | 800004215.pdf |

KLIPPON K31 M20ACSS EX

Weidmüller Interface GmbH & Co. KG
Klingenbergstraße 16
D-32758 Detmold
Germany
Fon: +49 5231 14-0
Fax: +49 5231 14-292083
www.weidmueller.com

Drawings



Klippon K (aluminium empty enclosure) KLIPPON K31 EX

Weidmüller Interface GmbH & Co. KG
Klingenbergstraße 16
D-32758 Detmold
Germany
Fon: +49 5231 14-0
Fax: +49 5231 14-292083
www.weidmueller.com



The Klippon® brand has long stood for competence and quality in housings – particularly when turnkey, customer-specific solutions for standard industrial applications and applications in explosive risk zones are concerned.

Improved products that meet all application requirements: this was Weidmüller's aim when modernising and upgrading the Klippon® K enclosure series. No matter what kind of application the customer is planning; Weidmüller is able to provide a wide range of aluminium enclosures precisely fitting the customer's requirements.

- Available in two surface finishes: natural and powder-coated (RAL 7001)
- Available with moulded silicone or chloroprene gasket as standard
- Uniform Torx slotted screw head for 19 enclosure sizes
- Mounting holes outside of the gasket area
- High IP protection classes: IP66, IP67 and IP68
- Impact resistance of up to 7 (10) Joules
- The enclosures are approved according ATEX, IECEx, GOST Ex, GOST, cULus, Russian Maritime Register and Germanischer Lloyd as well as the empty enclosure standard.
- Alloy is resistant to salt water
- Standardised distributor enclosures with threaded holes and a variety of terminal configurations

General ordering data

| | |
|------------|--|
| Type | KLIPPON K31 EX |
| Order No. | 9526890000 |
| Version | Klippon K (aluminium empty enclosure), Empty enclosure, Aluminium enclosure, Height: 80 mm, Width: 175 mm, Depth: 57 mm, Material: Aluminium AlSi12, untreated, Silver |
| GTIN (EAN) | 4032248019106 |
| Qty. | 1 pc(s). |

**Klippon K (aluminium empty enclosure)
KLIPPON K31 EX**

Weidmüller Interface GmbH & Co. KG
 Klingenbergstraße 16
 D-32758 Detmold
 Germany
 Fon: +49 5231 14-0
 Fax: +49 5231 14-292083
 www.weidmueller.com

Technical data**Dimensions and weights**

| | | | |
|----------------------------|--------|-----------------------------|------------|
| Width | 175 mm | Width (inches) | 6.89 inch |
| Height | 80 mm | Height (inches) | 3.15 inch |
| Depth | 57 mm | Depth (inches) | 2.244 inch |
| Mounting dimension - width | 163 mm | Mounting dimension - height | 52 mm |
| Weight | 520 g | Net weight | 594 g |

Environmental Product Compliance

REACH SVHC Lead 7439-92-1

Cable glands, left

| | | | |
|-----|---|-----|---|
| M12 | 2 | M16 | 2 |
| M20 | 1 | | |

Cable glands, right

| | | | |
|-----|---|-----|---|
| M12 | 2 | M16 | 2 |
| M20 | 1 | | |

Cable glands, top/bottom

| | | | |
|-----|---|-----|---|
| M12 | 9 | M16 | 6 |
| M20 | 4 | M25 | 3 |

Certificate numbers enclosure

| | | | |
|---|----------------------|---|----------------------|
| Certificate no. assembled enclosure (ATEX) | IBExU12ATEX1145 X | Certificate no. empty enclosure (ATEX) | IBExU12ATEX1144 U |
| Certificate no. assembled enclosure (IECEX) | IECEX IBE 13.0002X | Certificate no. empty enclosure (IECEX) | IECEX IBE 13.0001U |
| Certificate no., assembled enclosure (EAC) | RU C-DE.ГБ08.B.01328 | Certificate no., empty enclosure (EAC) | RU C-DE.ГБ08.B.00472 |
| Certificate No. (GERMLLOYD) | TAE00002SM | Certificate No. (MARITREG) | 14.40040.250 |

General information

| | | | |
|-----------------------------|---|---------------------------------|-------------------|
| Areas of use | Explosive risk zone, Process industry, Transportation, Packaging industry, Marine engineering, Machine construction, Harbour facilities | Material thickness | 4 mm |
| Material thickness of cover | 2.5 mm | Material thickness of enclosure | 4 mm |
| Standards | IEC 60079-0, IEC 60079-7, IEC 60079-31 | Torque for lid screws | 2.5 Nm |
| Material | Aluminium AISi12 | Seal material | Silicone |
| Surface finish | untreated | Operating temperature, min. | -60 °C |
| Operating temperature, max. | 135 °C | Impact resistance | 7.00 J |
| Protection degree | IP66, IP67 | Enclosure attachment | Holes 4 mm |
| Lid attachment | M4 torx stainless steel screws with slot | Integral fixing | Threaded holes M4 |

Creation date September 14, 2018 7:33:27 AM CEST

Catalogue status 31.08.2018 / We reserve the right to make technical changes.

**Klippon K (aluminium empty enclosure)
KLIPPON K31 EX**

Weidmüller Interface GmbH & Co. KG
 Klingenbergstraße 16
 D-32758 Detmold
 Germany
 Fon: +49 5231 14-0
 Fax: +49 5231 14-292083
 www.weidmueller.com

Technical data**horizontal assembly**

| | | | |
|-----------------------------|------|---------------|------|
| WDU 2,5 / ZDU 2,5 / IDU 2,5 | 1x23 | WDU 4 / ZDU 4 | 1x19 |
|-----------------------------|------|---------------|------|

vertical assembly

| | | | |
|-----------------------------|---|---------------|---|
| WDU 2,5 / ZDU 2,5 / IDU 2,5 | * | WDU 4 / ZDU 4 | * |
|-----------------------------|---|---------------|---|

Classifications

| | | | |
|------------|-------------|------------|-------------|
| ETIM 3.0 | EC000049 | ETIM 4.0 | EC002503 |
| ETIM 5.0 | EC002503 | ETIM 6.0 | EC002503 |
| UNSPSC | 31-26-15-02 | eClass 5.1 | 27-18-05-02 |
| eClass 6.2 | 27-18-05-02 | eClass 7.1 | 27-18-05-02 |
| eClass 8.1 | 27-18-05-02 | eClass 9.0 | 27-18-05-02 |
| eClass 9.1 | 27-18-05-02 | | |

Product information

| | |
|---------------------------------|--|
| Descriptive text ordering data | The colours of painted enclosures may vary under certain circumstances. |
| Descriptive text technical data | *Please refer to the Terminal Block Catalogue or the SAK Series for more information about populating the enclosures with terminal blocks. We recommend BK 6 or BK 6 CRN (0625220000) for vertical installations. There are no pre-defined mounting points set within this enclosure for installing internal equipment in a vertical position. |
| Instructions for accessories | The accessory sets contain the necessary mounting materials. Necessary on use of 1 hinge per longitudinal side. Helicoil for outdoor applications, available ex-works. |

Approvals

Approvals



ROHS Conform

Downloads

| | |
|---|---|
| Approval/Certificate/Document of Conformity | Attestation of Conformity - Klippon K Empty Enclosures - AoC DE PS2410 160308 001ISS01 EU Declaration of Conformity - Klippon K Empty Enclosures - DoC DE PS2410 160412 001ISS01 |
| Brochure/Catalogue | MB OVERV. PROCESS WD DE MB KLIPPON ENCL.TECN EN MB PROCESS EN CAT 5 ENCL 17/18 EN FL RAILWAY 2014 EN |
| Engineering Data | EPLAN, WSCAD |
| Engineering Data | STEP |
| Tender specification | Klippon K31 Ex_9526890000_DE Klippon K31 Ex_9526890000_EN |
| User Documentation | MB KLIPPON ENCL.TECN DE Assembly guidelines - empty enclosures |

**Klippon K (aluminium empty enclosure)
KLIPPON K31 EX**

Weidmüller Interface GmbH & Co. KG
Klingenbergstraße 16
D-32758 Detmold
Germany
Fon: +49 5231 14-0
Fax: +49 5231 14-292083
www.weidmueller.com

Drawings**Dimensioned drawing**