

## VSPC VSPC 1CL PW 24V

**Weidmüller Interface GmbH & Co. KG**

Klingenbergstraße 16

D-32758 Detmold

Germany

Fon: +49 5231 14-0

Fax: +49 5231 14-292083

www.weidmueller.com



Combined protection of one current loop 0(4) ... 20 mA and 24 VDC supply voltage

- Protects the 24 V power supply with type III arrester (IEC 61643-11)
- Pluggable arrester, with interruption-free and impedance-neutral plug-in and pull-out
- For use in accordance with installation standard IEC 62305 / IEC 61643-22 (D1, C1, C2 and C3)
- Integrated PE foot safely discharges up to 20 kA (8/20  $\mu$ s) and 2.5 kA (10/350  $\mu$ s) to the PE

### General ordering data

Type	VSPC 1CL PW 24V
Order No.	<a href="#">8951510000</a>
Version	Surge protection for instrumentation and control, 24 V, 34 V, 24 V, 10 A, IEC 61643-21
GTIN (EAN)	4032248742752
Qty.	1 pc(s).

**VSPC**  
**VSPC 1CL PW 24V**

**Weidmüller Interface GmbH & Co. KG**  
 Klingenbergstraße 16  
 D-32758 Detmold  
 Germany  
 Fon: +49 5231 14-0  
 Fax: +49 5231 14-292083  
 www.weidmueller.com

**Technical data****Dimensions and weights**

Width	17.8 mm	Width (inches)	0.701 inch
Height	90 mm	Height (inches)	3.543 inch
Depth	69 mm	Depth (inches)	2.717 inch
Net weight	50 g		

**Temperatures**

Humidity	5...96 %	Operating temperature, max.	70 °C
Operating temperature, min.	-40 °C	Storage temperature, max.	80 °C
Storage temperature, min.	-40 °C	Operating temperature	-40 °C...70 °C
Storage temperature	-40 °C...80 °C		

**Probability of failure**

$\lambda_{ges}$	45	MTTF	2,537 Years
PFH in $1 \cdot 10^{-9}$ per hour	1.95	SFF	95.67 %
SIL in compliance with IEC 61508	3		

**Power protection Class III**

Combined pulse $U_{OC}$	6 kV	Max. continuous voltage, $U_c$ (AC)	27 V
Max. continuous voltage, $U_c$ (DC)	38 V	Protection level $U_p$ (typ.)	$\leq 0.9$ kV
Rated voltage (AC)	24 V	Rated voltage (DC)	34 V, 24 V

**CSA protection data**

Gas group C	IIB	Gas group D	IIA
Gas groups A, B	IIC	Input voltage, max. $U_i$	39 V
Internal inductance, max. $L_i$	0 $\mu$ H		

**General data**

Colour	Orange	Design	Terminal, Miscellaneous
Optical function display	For Class III protection, green = OK; red = arrester is defective - replace	Protection degree	IP20
Segment	Instrumentation and Control	UL 94 flammability rating	V-0
Version	without warning function / function indicator		

**Insulation coordination acc. to EN 50178**

Pollution severity	2	Surge voltage category	III
--------------------	---	------------------------	-----

**VSPC**  
**VSPC 1CL PW 24V**

**Weidmüller Interface GmbH & Co. KG**  
 Klingenbergstraße 16  
 D-32758 Detmold  
 Germany  
 Fon: +49 5231 14-0  
 Fax: +49 5231 14-292083  
 www.weidmueller.com

**Technical data****Rated data IEC / EN**

Combined pulse $U_{OC}$	6 kV	Discharge current $I_{max}$ (8/20 $\mu$ s) GND-PE	10 kA
Discharge current $I_{max}$ (8/20 $\mu$ s) wire-PE	10 kA	Discharge current $I_{max}$ (8/20 $\mu$ s) wire-wire	10 kA
Discharge current $I_n$ (8/20 $\mu$ s) GND-PE	2.5 kA	Discharge current $I_n$ (8/20 $\mu$ s) wire-PE	2.5 kA
Discharge current $I_n$ (8/20 $\mu$ s) wire-wire	2.5 kA	Fuse	0.5 A
Lightning test current, $I_{imp}$ (10/350 $\mu$ s) GND-PE	2.5 kA	Lightning test current, $I_{imp}$ (10/350 $\mu$ s) Wire-PE	2.5 kA
Lightning test current, $I_{imp}$ (10/350 $\mu$ s) wire-wire	2.5 kA	Max. continuous voltage, $U_c$ (AC)	27 V
Max. continuous voltage, $U_c$ (DC)	38 V	Overload - failure mode	Modus 2
Protection level $U_p$ (typ.)	$\leq 0.9$ kV	Protection level on output side Wire-PE 1kV/ $\mu$ s, typically	450 V
Protection level on output side Wire-wire 1 kV/ $\mu$ s, typically	60 V	Protection level on output side Wire-wire 8/20 $\mu$ s, typically	60 V
Protection level, $U_p$ GND - PE	450 V	Protection level, $U_p$ wire - PE	450 V
Protection level, $U_p$ wire - wire	40 V	Pulse-reset capacity	$\leq 10$ ms
Rated current	450 mA	Rated current $I_N$	10 A
Rated voltage (AC)	24 V	Rated voltage (DC)	34 V, 24 V
Requirements category acc. to IEC 61643-21	C1, C2, C3, D1	Signal transmission properties (-3 dB)	3 MHz
Standards	IEC 61643-21	Surge current-carrying capacity C1	< 1 kA 8/20 $\mu$ s
Surge current-carrying capacity C2	5 kA 8/20 $\mu$ s	Surge current-carrying capacity C3	100 A 10/1000 $\mu$ s
Surge current-carrying capacity D1	2.5 kA 10/350 $\mu$ s	Voltage type	AC/DC
Volume resistance	2.20 $\Omega$		

**Further details of approvals**

GOST certificate	GOST-Zertifikat
------------------	-----------------

**Rated data UL**

Certificate No. (UL)	E311081	UL certificate	UL 497b Certificate
----------------------	---------	----------------	---------------------

**Ratings IECEx/ATEX/cUL**

cUL certificate	cUL Certificate
-----------------	-----------------

**Classifications**

ETIM 3.0	EC000943	ETIM 4.0	EC000381
ETIM 5.0	EC000943	ETIM 6.0	EC000943
UNSPSC	30-21-19-21	eClass 5.1	27-13-08-01
eClass 6.2	27-13-08-02	eClass 7.1	27-13-08-09
eClass 8.1	27-13-08-11	eClass 9.0	27-13-08-11
eClass 9.1	27-13-08-07		

**Product information**

Descriptive text technical data	The associated VSPC base element should be ordered with this. The dimension information provided refers to the complete module.
Instructions for accessories	EMC Set: 1067470000 Marker: DEK 5

**Data sheet****VSPC  
VSPC 1CL PW 24V****Weidmüller Interface GmbH & Co. KG**  
Klingenbergstraße 16  
D-32758 Detmold  
Germany  
Fon: +49 5231 14-0  
Fax: +49 5231 14-292083  
www.weidmueller.com**Technical data****Approvals**

Approvals



ROHS

Conform

**Downloads**

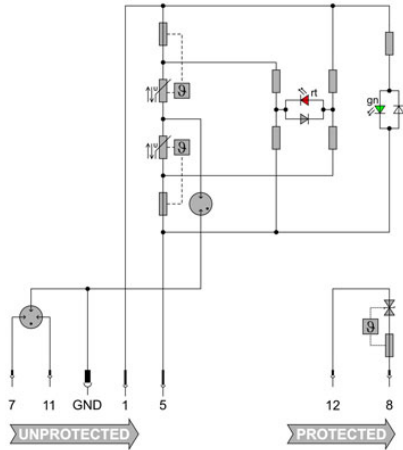
Approval/Certificate/Document of Conformity	<a href="#">SIL Paper</a> <a href="#">CE PAPER</a>
Brochure/Catalogue	<a href="#">CAT 4.4 ELECTR 16/17 EN</a>
Engineering Data	<a href="#">EPLAN_WSCAD</a>
Engineering Data	<a href="#">STEP</a>
User Documentation	<a href="#">Instruction sheet</a>

**VSPC  
VSPC 1CL PW 24V**

**Weidmüller Interface GmbH & Co. KG**  
Klingenbergstraße 16  
D-32758 Detmold  
Germany  
Fon: +49 5231 14-0  
Fax: +49 5231 14-292083  
www.weidmueller.com

**Drawings**

**Electric symbol**



Circuit diagram

**Derating curve**

Cate- gory	Testing pulse	Surge voltage	Surge current	Pulse	Type
C1	Quick-rising edge	0.5 - 2 kV with 1.2/50 µs	0.25 - 1 kA mit 8/20 µs	300	Surge voltage arrester
C2	Quick-rising edge	2 - 10 kV with 1.2/50 µs	1 - 5 kA mit 8/20 µs	10	Surge voltage arrester
C3	Quick-rising edge	≥ 1 kV with 1 kV/µs	10 - 100 A mit 10/10000 µs	300	Surge voltage arrester
D1	High power	≥ 1 kV	0.5 - 2.5 kA mit 10/350 µs	2	Arrester for lightning current and surge voltages

